



## KEY FEATURES

- Professional IP66 & IK08 Waterproof fixture with robust design
- Plug & Play installation
- Through-wiring 5x2.5mm<sup>2</sup>
- Dipswitch multi-current LED Philips/Osram Driver (4 in 1)
- Versions with CCT switchable 3 in 1 (3000K-4000K-6000K)
- Including stainless steel clips
- Integrated LED with a long lifespan of L80B10 100,000 hours / L90B50 50,000 hours
- Up to 169 lm/W (efficacy)
- Available in 60cm, 120cm & 150cm
- 5-year Pragmalux Warranty

IP66 IK08  850°GWT  146LM/W   

**5** PRAGMALUX  
YEAR  
WARRANTY

## DETAILS

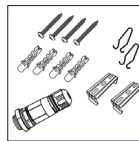


Inside

## OPTIONS



## ACCESSORIES



Included

## SPECIFICATIONS (ACCORDING TO EN IEC 62722-2-1)

ITEM CODE	DESCRIPTION	W	LM	LM/W	KELVIN	CRI	LIFETIME L80	BEAM ANGLE
4607696	LED Waterproof Hermes IP66 21-35W 1200 4000K 3100-5100lm	21-35	3100-5100	146	4000	≥80	100000	120°
4607702	LED Waterproof Hermes IP66 424-2W 1500 4000K 3750-6100lm	24-42	3750-6100	145	4000	≥80	100000	120°
1000497	LED Waterproof Hermes IP66 35-61W 1500 4000K 6000-10200lm Incl. 5x2.5mm TW	36-61	6000-10200	167	4000	≥80	100000	120°
4607696-CCT	LED Waterproof Hermes IP66 20-35W 1200 4000K 3050-5000lm	20-35	3050-5000	142	4000	≥80	100000	120°
4607702-CCT	LED Waterproof Hermes IP66 30-53W 1500 4000K 4700-7700lm	30-53	4700-7700	145	4000	≥80	100000	120°
1000466	LED Waterproof Hermes IP66 10-18W 600 3000K-6000K 3-CCT 1450-2500lm Incl. 5x2.5mm TW	10-18	1250-2300	138	3000-6000	≥80	100000	120°
1000473	LED Waterproof Hermes IP66 20-35W 1200 3000K-6000K 3-CCT 2700-5000lm Incl. 5x2.5mm TW	20-35	2700-5000	142	3000-6000	≥80	100000	120°
1000480	LED Waterproof Hermes IP66 30-53W 1500 3000K-6000K 3-CCT 4150-7700lm Incl. 5x2.5mm TW	30-53	7700-4150	145	3000-6000	≥80	100000	120°
4607696-S	LED Waterproof Hermes IP66 35W 1200 4000K Sensor	21-35	3100-5100	146	4000	≥80	100000	120°
4607696-N	LED Waterproof Hermes IP66 35W 1200 4000K Emergency	21-35	3100-5100	146	4000	≥80	100000	120°
4607696-SN	LED Waterproof Hermes IP66 35W 1200 4000K Sensor + Emergency	21-35	3100-5100	146	4000	≥80	100000	120°
4607702-S	LED Waterproof Hermes IP66 42W 1500 4000K Sensor	24-42	3750-6100	145	4000	≥80	100000	120°
4607702-N	LED Waterproof Hermes IP66 42W 1500 4000K Emergency	24-42	3750-6100	145	4000	≥80	100000	120°
4607702-SN	LED Waterproof Hermes IP66 42W 1500 4000K Sensor + Emergency	24-42	3750-6100	145	4000	≥80	100000	120°
1000497-S	LED Waterproof Hermes IP66 35-62W 1500 4000K 6000-10200lm Incl. 5x2.5mm TW Sensor	36-61	6000-10200	167	4000	≥80	100000	120°
1000497-S	LED Waterproof Hermes IP66 35-62W 1500 4000K 6000-10200lm Incl. 5x2.5mm TW Sensor	36-61	6000-10200	167	4000	≥80	100000	120°
1000497-N	LED Waterproof Hermes IP66 35-62W 1500 4000K 6000-10200lm Incl. 5x2.5mm TW Emergency	36-61	6000-10200	167	4000	≥80	100000	120°
4607696-CCT-S	LED Waterproof Hermes IP66 20-35W 1200 4000K 3050-5000lm Sensor	20-35	3050-5000	142	4000	≥80	100000	120°
4607696-CCT-N	LED Waterproof Hermes IP66 20-35W 1200 4000K 3050-5000lm Emergency	20-35	3050-5000	142	4000	≥80	100000	120°
4607696-CCT-SN	LED Waterproof Hermes IP66 20-35W 1200 4000K 3050-5000lm Sensor + Emergency	20-35	3050-5000	142	4000	≥80	100000	120°
4607702-CCT-S	LED Waterproof Hermes IP66 30-53W 1500 4000K 4700-7700lm Sensor	30-53	4700-7700	145	4000	≥80	100000	120°
4607702-CCT-S	LED Waterproof Hermes IP66 30-53W 1500 4000K 4700-7700lm Emergency	30-53	4700-7700	145	4000	≥80	100000	120°
4607702-CCT-SN	LED Waterproof Hermes IP66 30-53W 1500 4000K 4700-7700lm Sensor + Emergency	30-53	4700-7700	145	4000	≥80	100000	120°
1000466-SN	LED Waterproof Hermes IP66 10-18W 600 3000K-6000K 3-CCT 1450-2500lm Incl. 5x2.5mm TW Sensor + Emergency	10-18	1250-2300	138	3000-6000	≥80	100000	120°
1000473-S	LED Waterproof Hermes IP66 20-35W 1200 3000K-6000K 3-CCT 2700-5000lm Incl. 5x2.5mm TW Sensor	20-35	2700-5000	142	3000-6000	≥80	100000	120°
1000473-N	LED Waterproof Hermes IP66 20-35W 1200 3000K-6000K 3-CCT 2700-5000lm Incl. 5x2.5mm TW Emergency	20-35	2700-5000	142	3000-6000	≥80	100000	120°
1000473-SN	LED Waterproof Hermes IP66 20-35W 1200 3000K-6000K 3-CCT 2700-5000lm Incl. 5x2.5mm TW Sensor + Emergency	20-35	2700-5000	142	3000-6000	≥80	100000	120°
1000480-S	LED Waterproof Hermes IP66 30-53W 1500 3000K-6000K 3-CCT 4150-7700lm Incl. 5x2.5mm TW Sensor	30-53	7700-4150	145	3000-6000	≥80	100000	120°
1000480-N	LED Waterproof Hermes IP66 30-53W 1500 3000K-6000K 3-CCT 4150-7700lm Incl. 5x2.5mm TW Emergency	30-53	7700-4150	145	3000-6000	≥80	100000	120°
1000480-SN	LED Waterproof Hermes IP66 30-53W 1500 3000K-6000K 3-CCT 4150-7700lm Incl. 5x2.5mm TW Sensor + Emergency	30-53	7700-4150	145	3000-6000	≥80	100000	120°

## PRAGMALUX

All rights reserved. Pragmalux - PDL Lighting Group B.V. retains the right to modify product specifications without any prior notice or obligation and does not assume any liability for any consequences of using this document. Subject to errors and printing errors. Luminous flux tolerance: +/- 10%. Power consumption tolerance: +/- 10%.

Version: August 2021

# HERMES IP66 LED WATERPROOF

## TECHNICAL DATA

ELECTRICAL DATA	
Voltage (V)	220-240
Frequency (Hz)	50/60
Power factor (λ)	≥0.9
Operating mode	Integrated LED Driver
Electrical connection	Max 5x2,5 mm <sup>2</sup> wire
Total harmonic distortion	≤ 20 %

TEMPERATURES & OPERATING CONDITIONS	
Ambient temperature	25°C
Operating temperature	-25 ~ +40°C
Storage temperature	-25 ~ +80°C

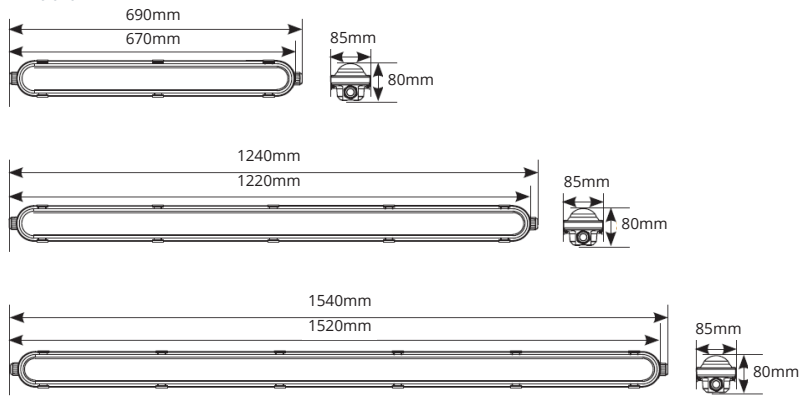
COLORS & MATERIALS	
Color ( Housing)	Grey RAL7035
Material ( Housing)	PC
Material ( Reflector)	PC

CERTIFICATES & STANDARDS	
Driver certificates	CE / ENEC
Fixture certificates	CE / ENEC
Ingress protection	IP66
Protection class	I
Protection class IK	08
Glow Wire Test ( IEC 695-2-1)	850°C
Photobiological safety group EN62778	RG0
IEC	EN IEC 62722-2-1
LM80 (TM21 /) L90B50 (hours)	>50,000

CAPABILITIES	
UGR	≤25
Dimmable	No
Type of connection	Push Terminal, 5-pole
LED Module replacable	No

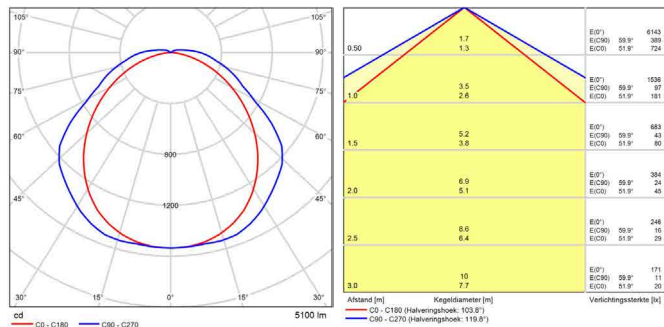
ITEM CODE	DESCRIPTION	DRIVER FAILURE RATE AT 5,000H	INRUSH CURRENT IPEAK (A)	INRUSH CURRENT TWIDTH (μs)	MAX. NO. OF DRIVERS ON MCB TYPE B 10A	MAX. NO. OF DRIVERS ON MCB TYPE B 16A	MAX. NO. OF DRIVERS ON MCB TYPE C 10A	MAX. NO. OF DRIVERS ON MCB TYPE C 16A
4607696	LED Waterproof Hermes IP66 35W 1200 4000K	≤1%	21.7	220	22	34	33	54
4607702	LED Waterproof Hermes IP66 42W 1500 4000K	≤1%	29.9	220	15	24	25	38
1000497	LED Waterproof Hermes IP66 35-61W 1500 4000K 6000-10200lm Incl. 5x2.5mm	≤1%	30.9	220	11	17	17	27
1000466	LED Waterproof Hermes IP66 10-18W 600 3000K-6000K 3-CCT 1450-2500lm Incl. 5x2.5mm	≤1%	7.7	220	43	69	67	107
1000473	LED Waterproof Hermes IP66 20-35W 1200 3000K-6000K 3-CCT 2700-5000lm Incl. 5x2.5mm	≤1%	21.7	220	22	34	33	54
1000480	LED Waterproof Hermes IP66 30-53W 1500 3000K-6000K 3-CCT 4150-7700lm Incl. 5x2.5mm	≤1%	21.7	220	22	34	33	54
4607696-S	LED Waterproof Hermes IP66 35W 1200 4000K Sensor	≤1%	21.7	220	22	34	33	54
4607696-N	LED Waterproof Hermes IP66 35W 1200 4000K Emergency	≤1%	21.7	220	22	34	33	54
4607696-SN	LED Waterproof Hermes IP66 35W 1200 4000K Sensor + Emergency	≤1%	21.7	220	22	34	33	54
4607702-S	LED Waterproof Hermes IP66 42W 1500 4000K Sensor	≤1%	29.9	220	15	24	25	38
4607702-N	LED Waterproof Hermes IP66 42W 1500 4000K Emergency	≤1%	29.9	220	15	24	25	38
4607702-SN	LED Waterproof Hermes IP66 42W 1500 4000K Sensor + Emergency	≤1%	29.9	220	15	24	25	38
1000497-S	LED Waterproof Hermes IP66 35-62W 1500 4000K 6000-10200lm Incl. 5x2.5mm Sensor	≤1%	30.9	220	11	17	17	27
1000497-S	LED Waterproof Hermes IP66 35-62W 1500 4000K 6000-10200lm Incl. 5x2.5mm Sensor	≤1%	30.9	220	11	17	17	27
1000497-N	LED Waterproof Hermes IP66 35-62W 1500 4000K 6000-10200lm Incl. 5x2.5mm Emergency	≤1%	30.9	220	11	17	17	27
1000466-SN	LED Waterproof Hermes IP66 10-18W 600 3000K-6000K 3-CCT 1450-2500lm Incl. 5x2.5mm Sensor + Emergency	≤1%	7.7	220	43	69	67	107
1000473-S	LED Waterproof Hermes IP66 20-35W 1200 3000K-6000K 3-CCT 2700-5000lm Incl. 5x2.5mm Sensor	≤1%	21.7	220	22	34	33	54
1000473-N	LED Waterproof Hermes IP66 20-35W 1200 3000K-6000K 3-CCT 2700-5000lm Incl. 5x2.5mm Emergency	≤1%	21.7	220	22	34	33	54
1000473-SN	LED Waterproof Hermes IP66 20-35W 1200 3000K-6000K 3-CCT 2700-5000lm Incl. 5x2.5mm Sensor + Emergency	≤1%	21.7	220	22	34	33	54
1000480-S	LED Waterproof Hermes IP66 30-53W 1500 3000K-6000K 3-CCT 4150-7700lm Incl. 5x2.5mm Sensor	≤1%	21.7	220	22	34	33	54
1000480-N	LED Waterproof Hermes IP66 30-53W 1500 3000K-6000K 3-CCT 4150-7700lm Incl. 5x2.5mm Emergency	≤1%	21.7	220	22	34	33	54
1000480-SN	LED Waterproof Hermes IP66 30-53W 1500 3000K-6000K 3-CCT 4150-7700lm Incl. 5x2.5mm Sensor + Emergency	≤1%	21.7	220	22	34	33	54

## DIMENSIONS

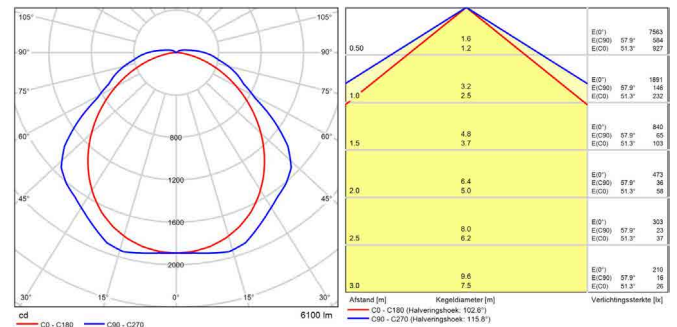


## PHOTOMETRIC SPECIFICATIONS

### LED WATERPROOF HERMES IP66 35W 1200 4000K



### LLED WATERPROOF HERMES IP66 42W 1500 4000K



## DETAILS



Adjustable ceiling clips



M20



Stainless steel clips

## EXTRA INFORMATION



1	2	mA
ON	ON	200
OFF	ON	250
ON	OFF	300
OFF	OFF	350

	200mA		250mA		300mA		350mA	
	W	lm	W	lm	W	lm	W	lm
4607696 Hermes 35W	21	3100	25	3750	30	4400	35	5100
4607702 Hermes 42W	24	3750	30	4500	36	5400	42	6100
1000497 Hermes 61W	36	6000	44	7300	53	8700	61	10200

	200mA			250mA			300mA			350mA						
	W	lm		W	lm		W	lm		W	lm					
		3000K	4000K	6000K		3000K	4000K	6000K		3000K	4000K	6000K				
1000466 Hermes 18W	10	1250	1350	1325	13	1550	1650	1715	15	1750	2000	1900	18	2000	2300	2200
1000473 Hermes 35W	20	2700	3050	2950	25	3250	3700	3550	30	3850	4350	4200	35	4400	5000	4800
1000480 Hermes 53W	30	4150	4700	4550	37	5050	5700	5500	45	5950	6700	6450	53	6800	7700	7400